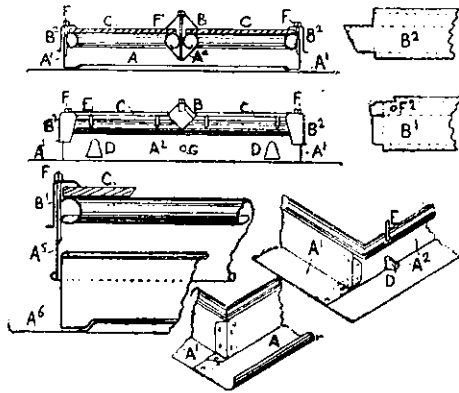


in one with the walls and inside gutters and outside rims for the main outsides of the frame and the double roll top formed in one with the V bar. The corners of the frame are



overlapped and interlaced, and the top, or any two corners, secured by special bolts from one member to the other. A further feature lies in the combination of the roll top with part of the wall of the main frame, strengthened at the lower edges, with the remainder of the wall of the main frame strengthened at the upper edges.

Fire Cement.—Patent No. 37,754 for a Fire-stone Cement has been taken out by Nicholas Thomas, of 11, Josephine Street, Caversham, Thomas E. Hore, Wm. Davis, and John Barker of 374 Armagh Street, Christchurch. The patent consists of a mixture of Silica sand, clay, and silicate of soda.

Building Notes

AUCKLAND.

The Myers Kindergarten has recently been completed, and was officially opened last month. It is situated in the Myers Park; both the building and the park are the gift of the Hon. A. M. Myers.

The cost of building, furnishing and equipment of the kindergarten and school for backward children is £7,000, which together with the cost of the land purchased for the park, and gymnasia equipment, will bring the value of Mr. Myers' gift to the total of £26,000.

A case of considerable interest to the building and allied trades, says the "Herald," came before His Honor, Mr. Justice Hosking at the Supreme Court recently in the civil jurisdiction, and in which His Honor was asked to decide a dispute in connection with a building contract owing to the failure of arbitrators to come to a settlement.

The building in respect to which the dispute arose is an apartment house in Lower Symonds Street, the erection of which Frederick Joseph Herring Ellidson contracted to carry on for Mrs. Rachel Basten for a sum of £3,785. Disputes arose in connection with the contract, and were, in terms of the contract conditions, referred to arbitration.

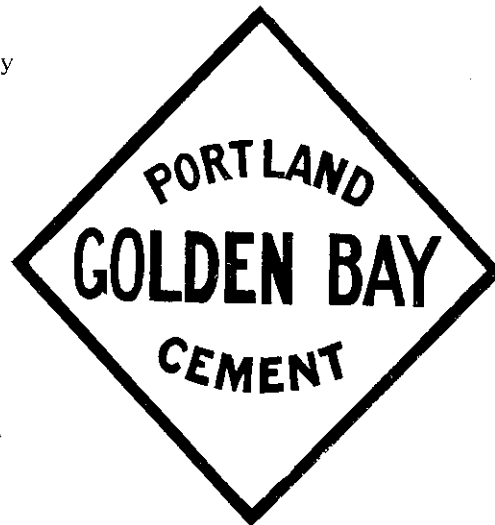
"An architect's work is sure to be unpopular if it avoids being commonplace."—*Sir Chas. Nicholson.*

"Houses are built to live in, and not to look on; therefore let use be preferred before uniformity, except where both may be had."—*Bacon.*

GOLDEN BAY CEMENT

Universally
Used.

Tested under every
working condition.



Sets like a
Rock.

Quality proved
by results.

THE GOLDEN BAY CEMENT WORKS, LTD.
Nathan's Buildings, Wellington.

REESE BROS. CANTERBURY AGENTS

Mention of "Progress" when writing ensures prompt attention