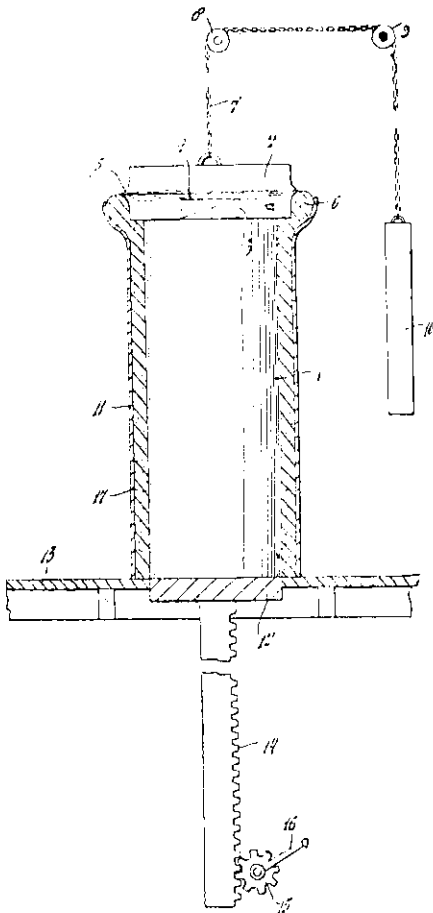


in combination with an L piece to construct a casement. A baffle-plate may in certain circumstances be employed, and the invention also comprises some other features.

**Concrete, etc., Pipe Making Mandrel.**—Patent No. 36,264 by Joseph R. Dixon of Warwick Road, Hastings. According to this invention, the mandrel is made in two parts—a body and a head. The barrel of the pipe is formed around the body part of the mandrel, and the faucet is made by means of the head. The body part is provided with a dowel adapted to fit into a hole formed in the head. To make the faucet of the pipe, the head is lowered down into position upon the body part of the mandrel, and when the pipe is



completed the head is removed by means of a chain passing over a pulley. The body part of the mandrel is then lowered through the floor by means of a rack and pinion. The periphery of the head has swellings for forming the faucet.

## KELLY'S DIRECTORY OF Merchants, Manufacturers & Shippers

and Guide to the Export and  
Import Trades of the World

The great object of this Directory is to bring the Buyers and Sellers of all Countries into direct communication.

The work, which is published annually, contains in one volume the names of the **Manufacturers, Merchants, Exporters and Importers** for all Countries, and the Publishers can with confidence state that this is the only work in English which serves as a complete and accurate guide to both the Import and Export Trade of the entire world.

**All Trade Headings are given in English and French and in the commercial language of the country to which the information refers,** so that the Directory can be readily used by the people of any country.

Our Representative will call on all N.Z. business houses during October, November, and December each year.

For further information and copy of book, please write—

**Kelly's Directories**  
Ltd. Estab. 1799  
182-34 High Holborn, London, W.C.

**H. J. CLARK,**  
Sole Australasian Representative,  
46 Morgan Street, Petersham,  
Sydney, Australia.

## PATENTS Obtained in all Countries!

Genius is a Quicker Road to Wealth than Hard Work  
Ideas in the shape of inventions are coinable into £ s. d.  
The progress of the world is due to its inventors  
Heads earn more than Hands

# Baldwin & Rayward

Engineers and Patent Experts

**OFFICES:**

DUNEDIN..... Joel's Building, Crawford Street  
CHRISTCHURCH ..... Corner of High and Cashel Sts.  
INVERCARGILL ..... Esk Street  
AUCKLAND ..... B Smeeton's Buildings  
NEW PLYMOUTH ..... Walter Bewley, Representative  
WANGANUI ..... J. L. Stevenson, Representative  
NAPIER ..... Cranby & Co., Representatives  
HASTINGS ..... J. A. Fraser, Representative  
NELSON ..... G. Langley Bell, Representative  
BLENHEIM ..... W. T. Churchward, Representative  
PALMERSTON NORTH, Ravenhill & Co., Representatives

Head Office:

**215 Lambton Quay, Wellington**