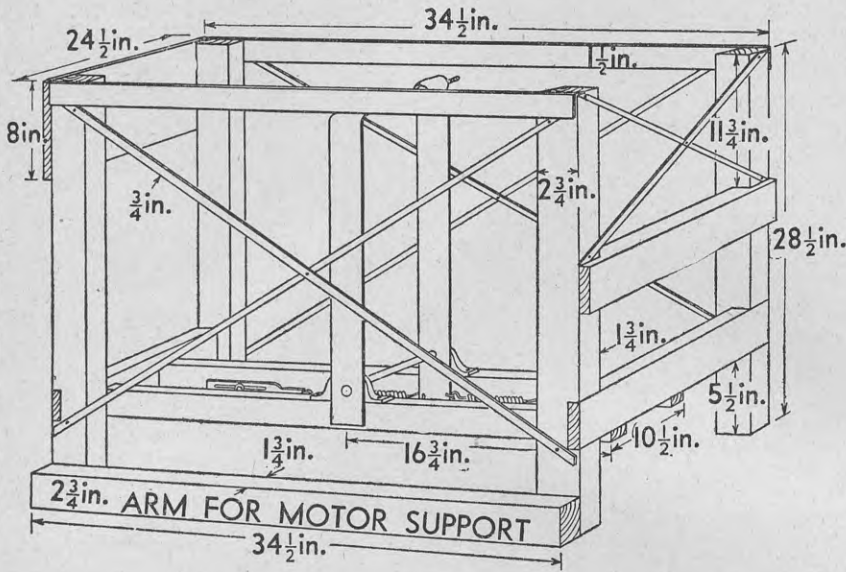
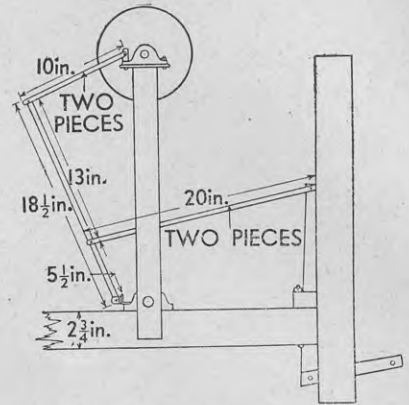


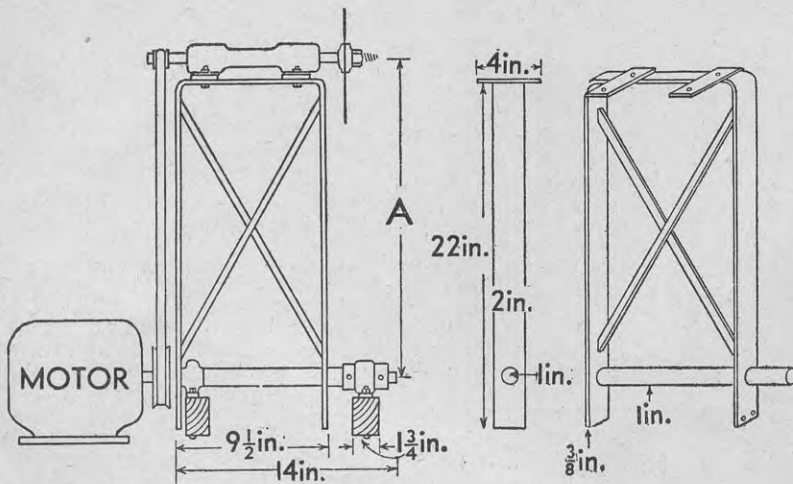
# CONSTRUCTIONAL DETAILS OF APIARIST'S SAW BENCH



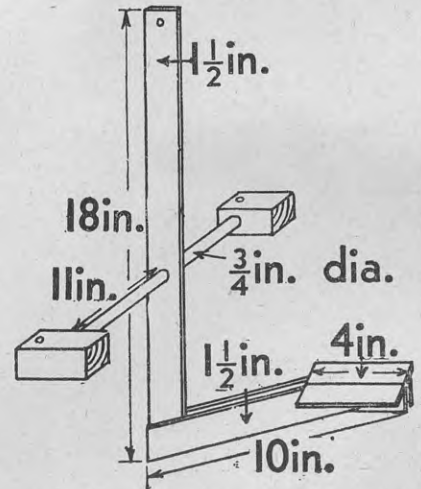
Frame assembly of saw bench.



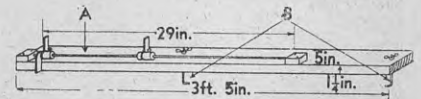
Rocker arm with levers and foot control.



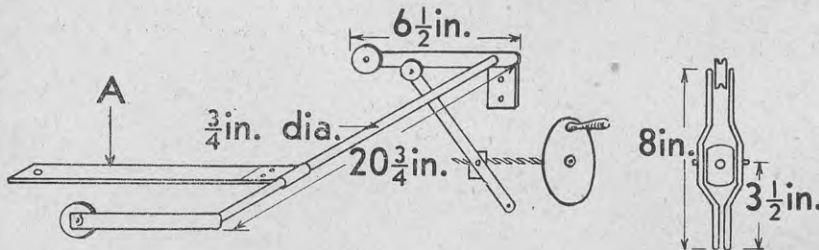
Saw spindle and rocker arm assembly. The distance between centres of saw spindle and rocker spindle (A) is governed by the size of pulleys and V belts used.



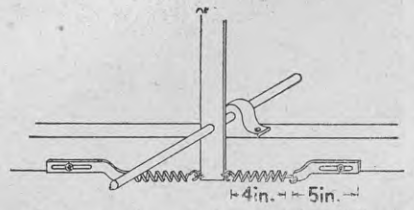
Foot control assembly.



Cross-cutting assembly with sliding adjustments. A— $\frac{1}{2}$ in. steel rod. B—L bolts for clamping to bench top.



Method of raising bench. A—Lever for clamping rocker arm in vertical position.



Compensating springs with sliding adjustments. Diameter of springs 1in.