

No. 83A.]

For Classes D and E, and for Junior C.S.

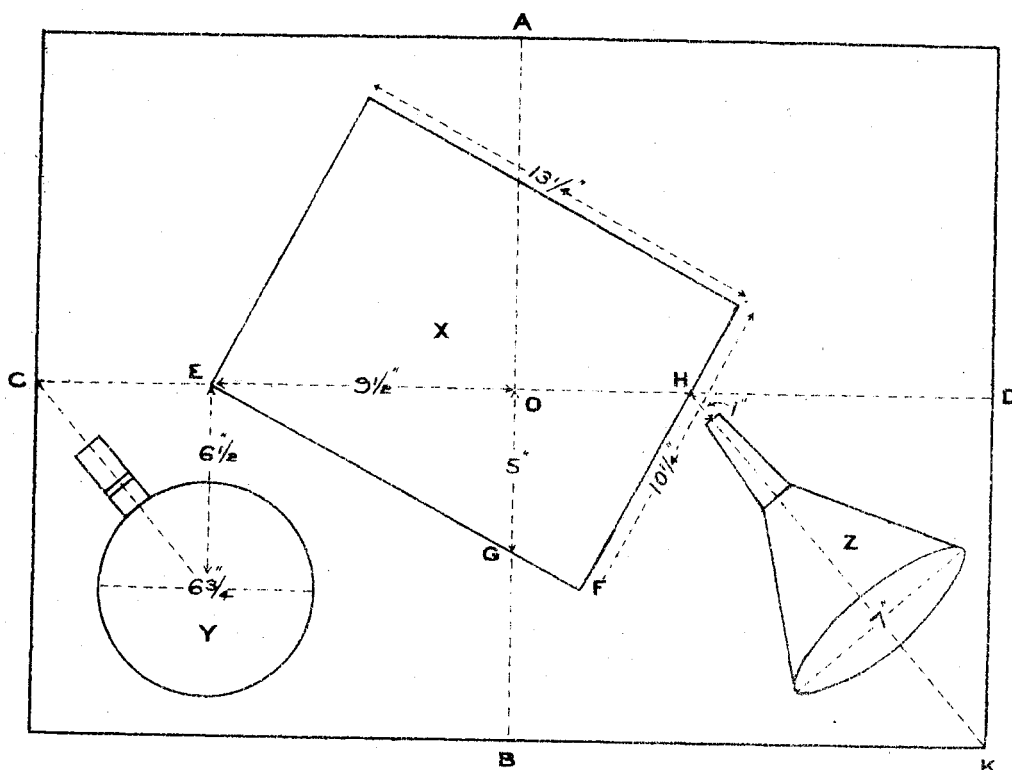
*(For Supervisors only.)*

NEW ZEALAND.—EDUCATION DEPARTMENT.

# CERTIFICATE AND CIVIL SERVICE EXAMINATIONS 1904.

## INSTRUCTIONS ABOUT MODEL DRAWING.

A board (preferably a drawing-board), the dimensions of which must not be less than those of an imperial drawing-board (30 inches by 22 inches), is to be arranged so that its upper surface is about 18 inches above the floor. The objects named below are to be placed thereon in accordance with the following diagram and directions.



[N.B.—The dotted lines shown in the diagram are for the guidance of the Supervisor when setting up the model, and must, if reproduced on the board, be removed before the examination begins. If there are more than ten candidates two or more groups of models should be set up.]

A, B, C, and D are the middle points of the four edges of the board, and O is the centre of the board.

A biscuit-tin, X,  $13\frac{1}{4}$  inches long,  $10\frac{1}{4}$  inches wide, and  $9\frac{1}{2}$  inches high, is to be placed on the board so that the corner E is in the line OC,  $9\frac{1}{2}$  inches from O, and so that one of the longest edges of the tin crosses the line OB at G, 5 inches from O.

A dipper, Y,  $6\frac{3}{4}$  inches in diameter, is to be placed so that its centre is  $6\frac{1}{2}$  inches from OC and  $9\frac{1}{4}$  inches from OB, while its handle is pointed towards C.

A funnel, Z, 7 inches in diameter, is to be placed so that its length lies along the line HK, while the tip of its nozzle is 1 inch from H, where the end of the tin crosses the line OD.

The candidates are to be allowed one hour and a half for this exercise.