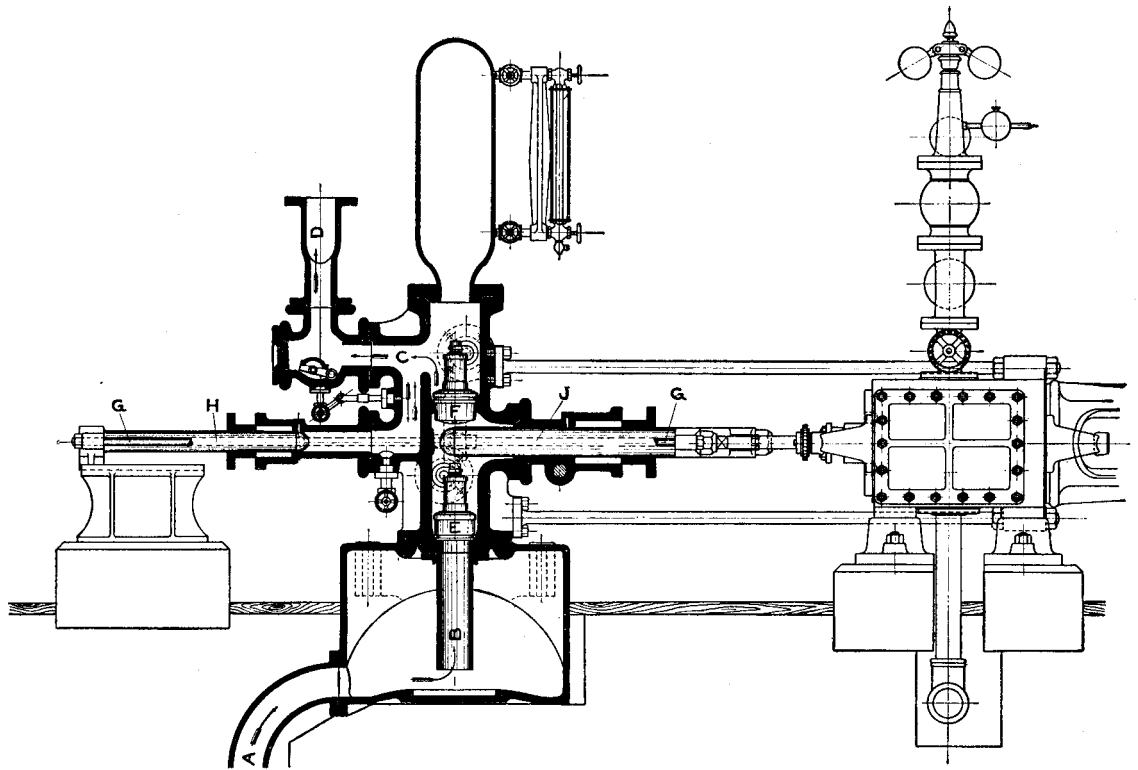


DUPLEX DIFFERENTIAL RIEDLER PUMP.
 Driven by Geared Electric Motor. (View in Elevation.)

— FIG. 1. —



DIFFERENTIAL RIEDLER PUMP.
 Built by Fraser & Chalmers.

— FIG. 2. —

— *Illustrating Paper* —
 — *on Improvements in Pumps & Air Compressors.* —