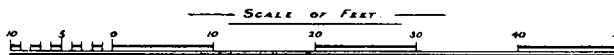
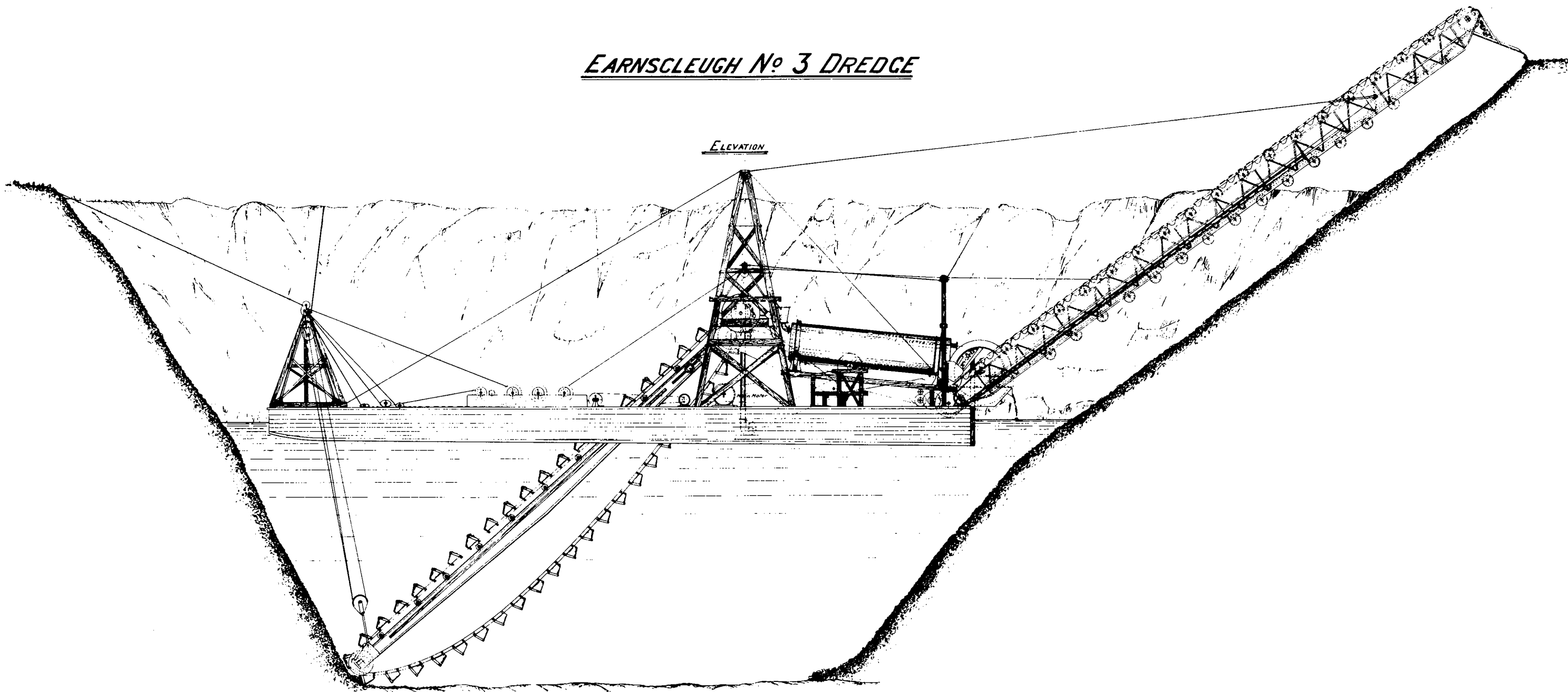
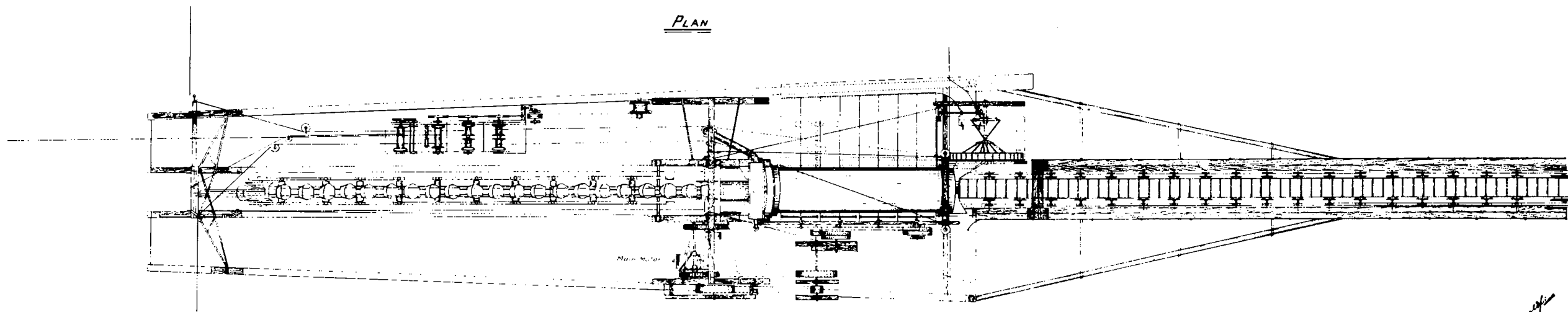


EARNSCLEUGH No 3 DREDGE

ELEVATION



PLAN



*Handwritten signature or initials.*