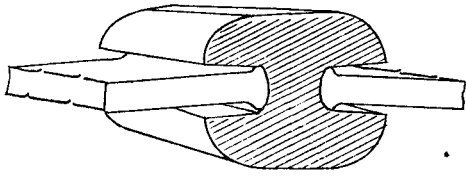


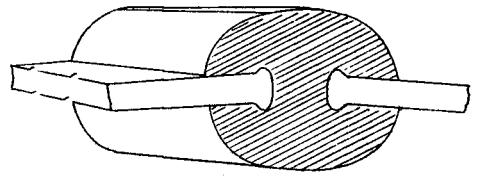
— RIVETLESS PIPE —  
 — FOR —  
 — WATER TRANSMISSION. —  


---

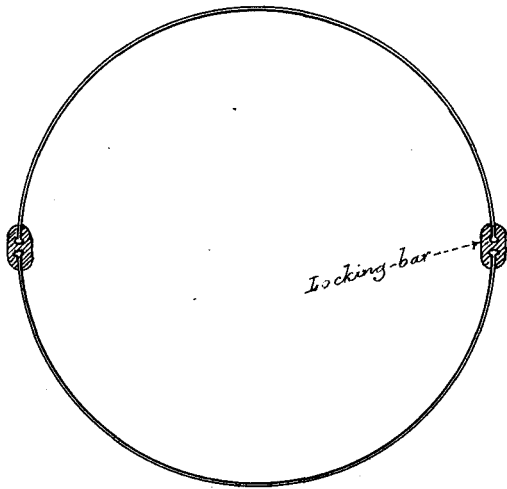
*Ferguson's Patent.*



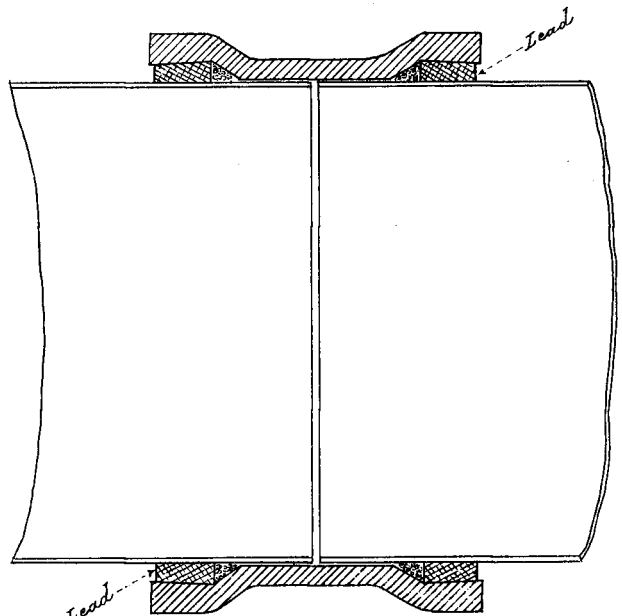
— Fig 1. —



— Fig 2. —



— Fig 3. —



— Fig 4. —

- Fig 1. View of Locking-bar, before closing.  
 " 2. " " " " " closed.  
 " 3. Section of finished Pipe.  
 " 4. " " Thimble at Pipe-joints.

— C. H. PILLARD. DELT. —