

DRAWING N^o 5.
 NAYLOR & THORNTON'S PATENT
ROCK DRILL.

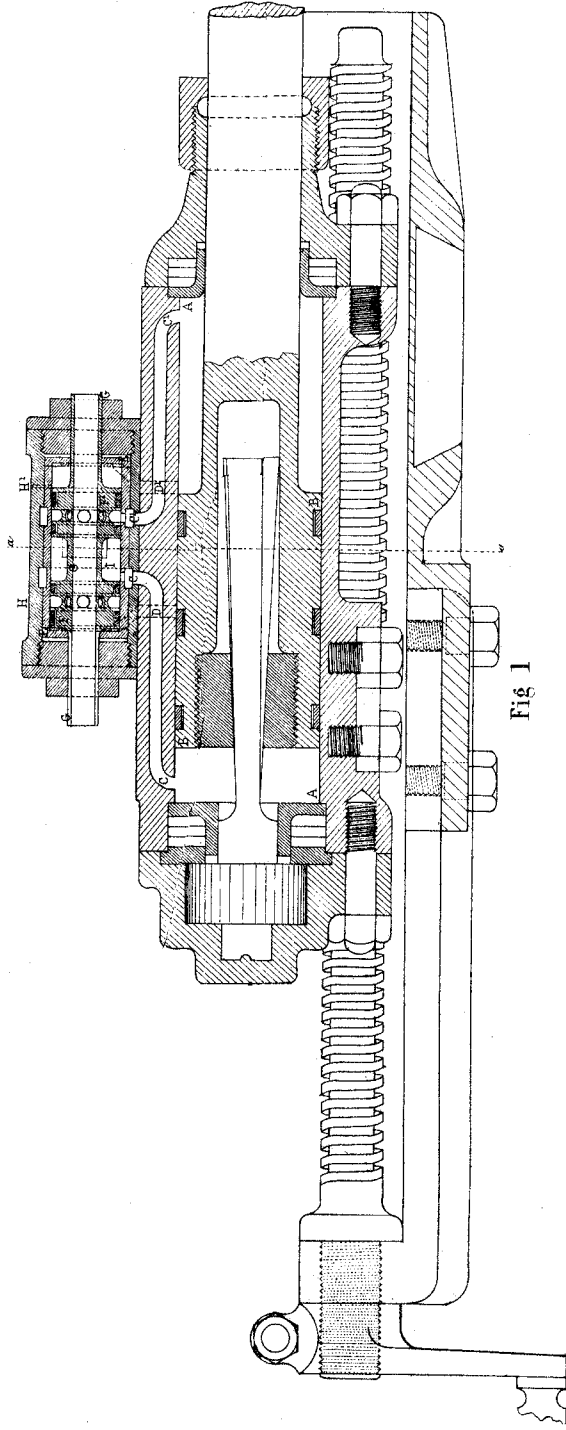


Fig 1

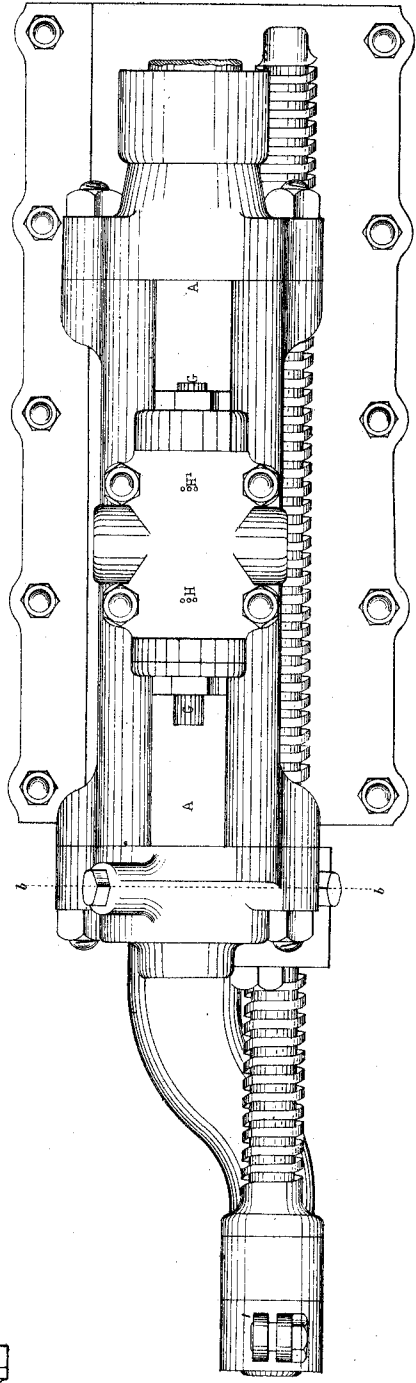
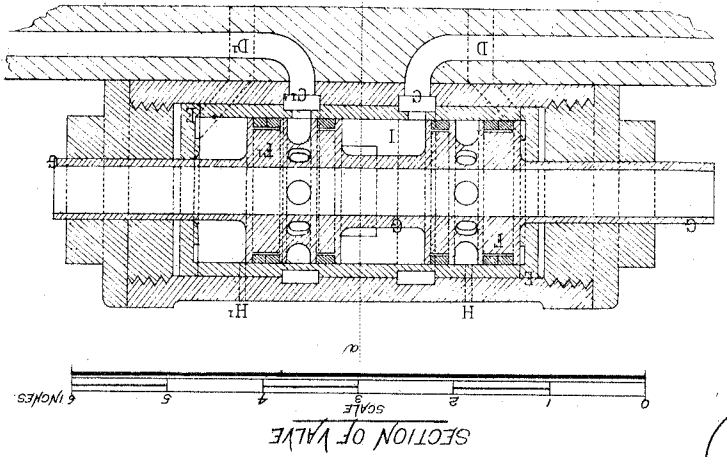


Fig 2



SECTION OF VALVE

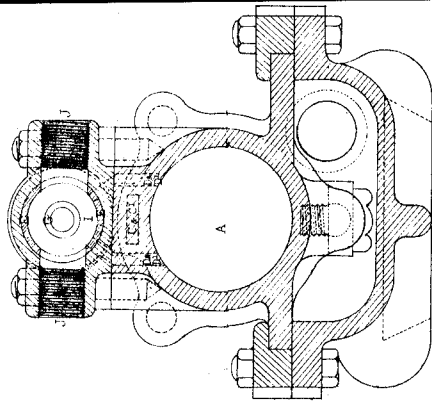


Fig 4

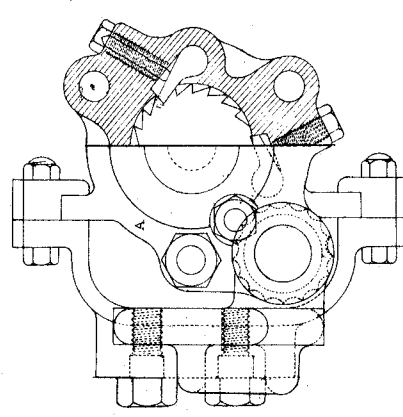


Fig 5

